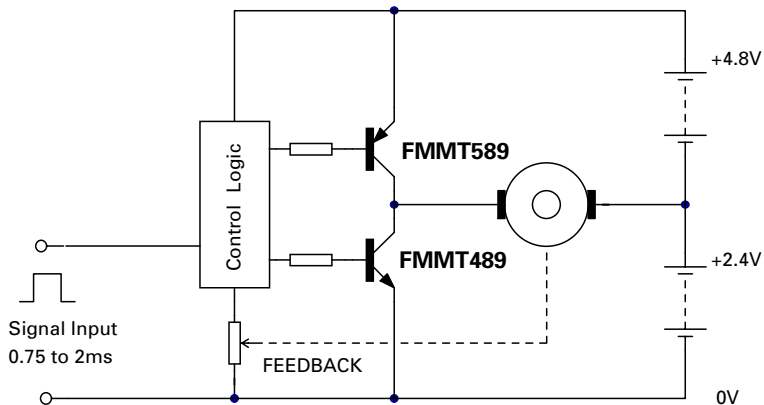


## Remote Control Servo Amplifier using Protection Free 1A DC Rated SOT23 Devices



The Zetex high performance SOT23 package, permitting power dissipation to 500mW (now up to 625mW with the FMMT618 and FMMT718 "SuperSOT" series), and the high efficiency of the 'MATRIX' geometry design, produces a performance previously only available in TO92, SOT89 or larger package styles. This advantage can be demonstrated by the servo amplifier driver shown above.

0.5A respectively, low  $V_{CE(sat)}$  (0.3V and 0.35V at 1A), and capable of handling peak currents of up to 2A, and 1A continuous. These features allow such surface mount designs to be realised at low cost, to exhibit better switching performance, and using a minimum of board area. Higher voltage variants are available as the FMMT491 and FMMT591, which are rated at 60V.

This circuit uses the high gain 30V  $BV_{CEO}$  rated FMMT489 and FMMT589, that possess typical gains of 200 at 1A and