

# DN65

## ZXSC310 Solution for emergency light

### Description

This solution is provided for an emergency light driving 8 white LEDs connected in series from a 4 cell input.

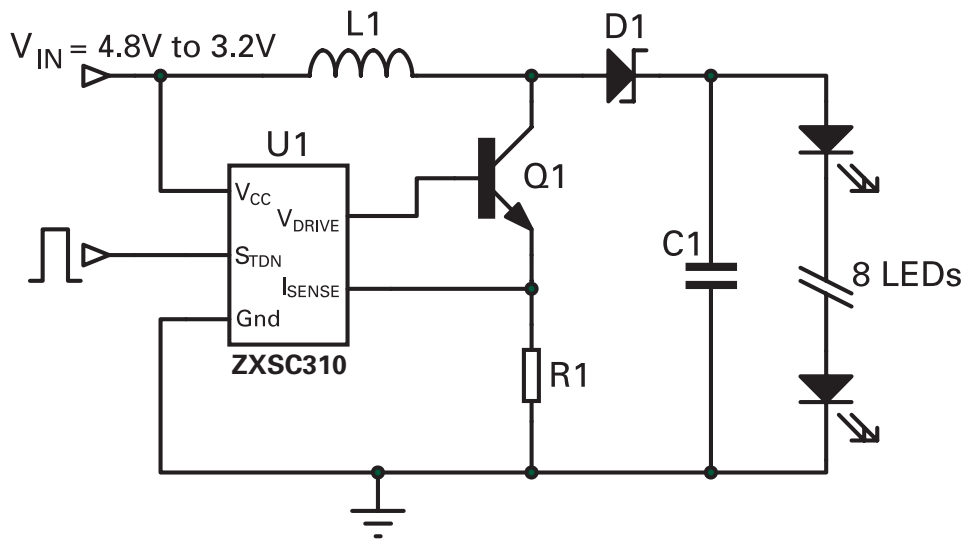


Figure 1 Schematic diagram

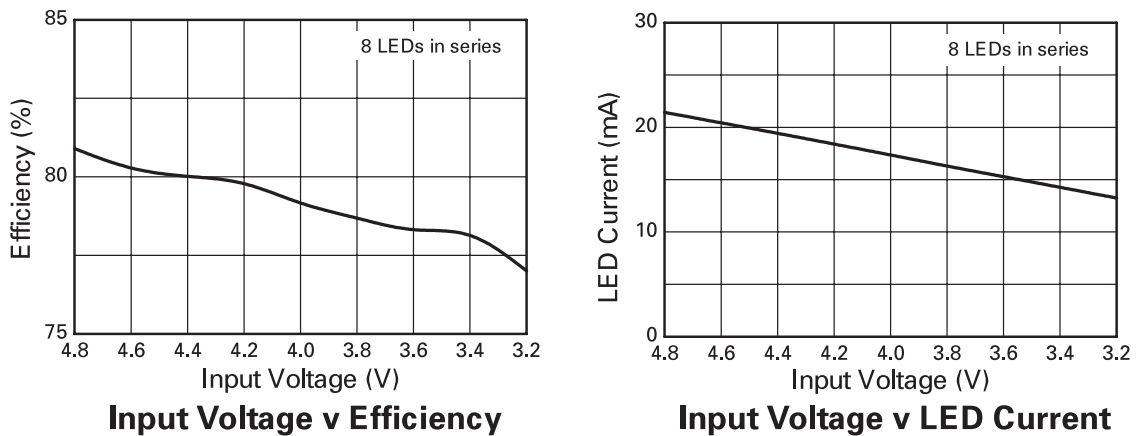


Figure 2 Performance graphs

# DN65

Reference	Part no.	Value	Manufacturer	Contact details
U1	ZXSC310E5	LED driver	Zetex	www.zetex.com
Q1	FMMT619	2A, low $V_{CE(sat)}$	Zetex	www.zetex.com
D1	ZHCS1000	1A, low $V_F$	Zetex	www.zetex.com
L1	LPO2506OB-683	68 $\mu$ H, 0.4A	Coilcraft	www.coilcraft.com
R1	Generic	82m $\Omega$	Generic	NA
C1	Generic	2.2 $\mu$ F	Generic	NA
LED1	NSPW500BS	White LED	Nichia	www.nichia.com

**Table 1 Bill of materials**

Europe	Americas	Asia Pacific	Corporate Headquarters
Zetex GmbH Streitfeldstraße 19 D-81673 München Germany	Zetex Inc 700 Veterans Memorial Highway Hauppauge, NY 11788 USA	Zetex (Asia Ltd) 3701-04 Metroplaza Tower 1 Hing Fong Road, Kwai Fong Hong Kong	Zetex Semiconductors plc Zetex Technology Park, Chadderton Oldham, OL9 9LL United Kingdom
Telefon: (49) 89 45 49 49 0 Fax: (49) 89 45 49 49 49 europe.sales@zetex.com	Telephone: (1) 631 360 2222 Fax: (1) 631 360 8222 usa.sales@zetex.com	Telephone: (852) 26100 611 Fax: (852) 24250 494 asia.sales@zetex.com	Telephone: (44) 161 622 4444 Fax: (44) 161 622 4446 hq@zetex.com

For international sales offices visit [www.zetex.com/offices](http://www.zetex.com/offices)

Zetex products are distributed worldwide. For details, see [www.zetex.com/salesnetwork](http://www.zetex.com/salesnetwork)

This publication is issued to provide outline information only which (unless agreed by the company in writing) may not be used, applied or reproduced for any purpose or form part of any order or contact or be regarded as a representation relating to the products or services concerned. The company reserves the right to alter without notice the specification, design, price or conditions of supply of any product or service.