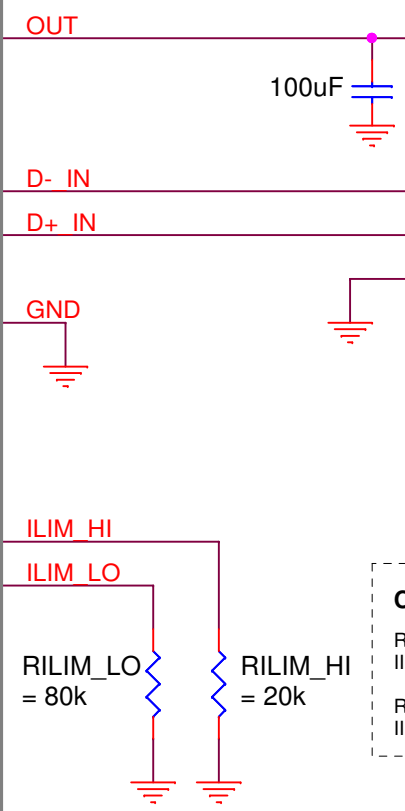


EN high = normal;
EN low = power down



Current limit
RILIM_HI = 20k;
IILIM = 2510mA (Typ.)
RILIM_LO = 80k;
IILIM = 625mA (Typ.)

Title		
PI5USB2546, PI5USB2546A Application schematic		
Size	Document Number	Rev
A	<Doc>	A
Date:	Tuesday, January 14, 2014	Sheet 1 of 1